

1) Product main performance/产品主要性能指标:

Operating Temperature/工作温度: -55℃~125℃(不带 LED指示灯)

Relative humidity/相对湿度: 90%~95% (40±2° C)

Working voltage/工作电压: 150V

Working current/工作电流: 1.5A

Insulation resistance/绝缘电阻: 5000MΩ

Withstand voltage/耐电压: 1000V

Contact resistance/接触电阻: ≤20mΩ

Data transmission performance/数据传输性能:

RJ45: Insertion loss /插入损耗: 0.4dB(100MHz)

Crosstalk /串 扰: 30.1dB (100MHz)

Impedance /阻 抗: 100±15Ω

Cable/配接电缆: φ7.0mm-φ8.0mm

2) Mechanical data/机械特性:

Connection type/连接方式: Bayonet connection/卡口连接

Vibration/振 动: 10~2000Hz 147m/s²

Shock Resistance/冲 击: 490m/s²

Salt Spray Corrosion/盐 雾: 96hr

Endurance (Shell)/机械寿命: 500

3) Other Specification/其它规格:

Housing Material/外壳材质: Aluminum alloy electroless plating bright nickel/
铝合金镀化学光亮镍

Other metal spare parts/其余金属件: Aluminum alloy nickel plating/铝合金镀镍

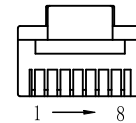
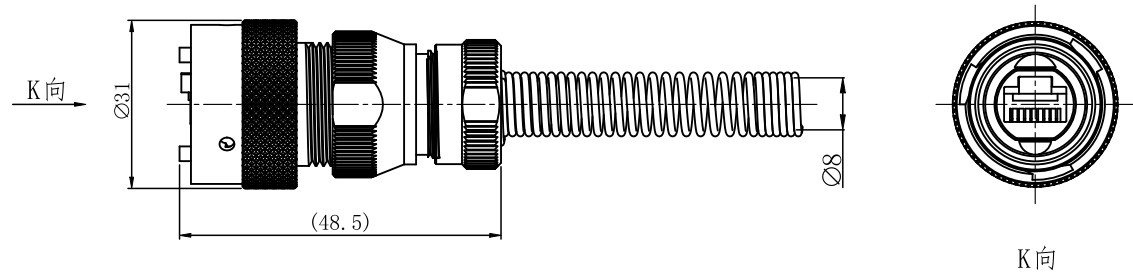
Spring material/弹簧材质: SUS316 /不锈钢316

Sealing ring material/密封圈材质: Red silicone rubber/红色硅橡胶

IP Rating/防护等级: IP68(Interpolation state/插合状态)

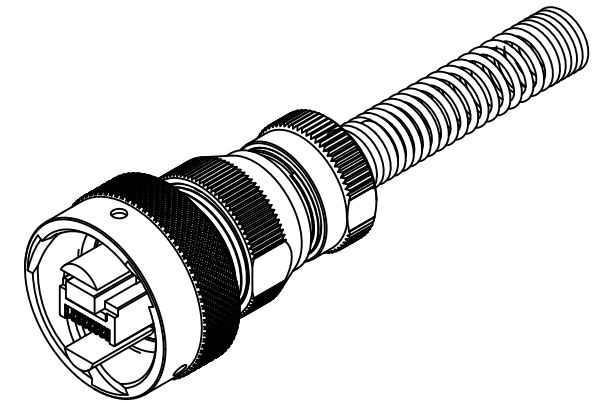
*ALL MATERIALS ARE RoHS COMPLIANT/所有材料均符合RoHS要求


REV/版本	DESCRIPTION/变更内容	DATE/日期	DRAWN BY/绘图



View k
K向孔位排列

Pin definition/引脚定义	
1	TX+
2	TX-
3	RX+
4	N/C(空脚)
5	N/C(空脚)
6	RX-
7	N/C(空脚)
8	N/C(空脚)



TOLERANCES UNLESS OTHERWISE SPECIFIED: 未标注尺寸公差: .x ±0.5 x.' ±1.0' .xx ±0.2 .x' ±0.5'	THIRD ANGLE PROJECTION	Product name/产品名称	
	SIZE: A4 UNITS: mm SCALE: 1: 1 SHEET: 1 OF 1	插头 /plug	
DRAWN BY: 绘图:	DATE/日期	QM NO 料号	REV/ 版本
PD05	2023. 02. 03	YW110F01S1-01A (Ø8)	A1
CHECKED BY: 审核:	DATE/日期	DRAWING NO 图号	
PD02	2023. 02. 03	CUSTOMER NO 客户料号	
APPROVED BY: 核准:	DATE/日期	 QM(Quanma) Connector Shenzhen Co. LTD 深圳市全马连接器有限公司	
PD02	2023. 02. 03		